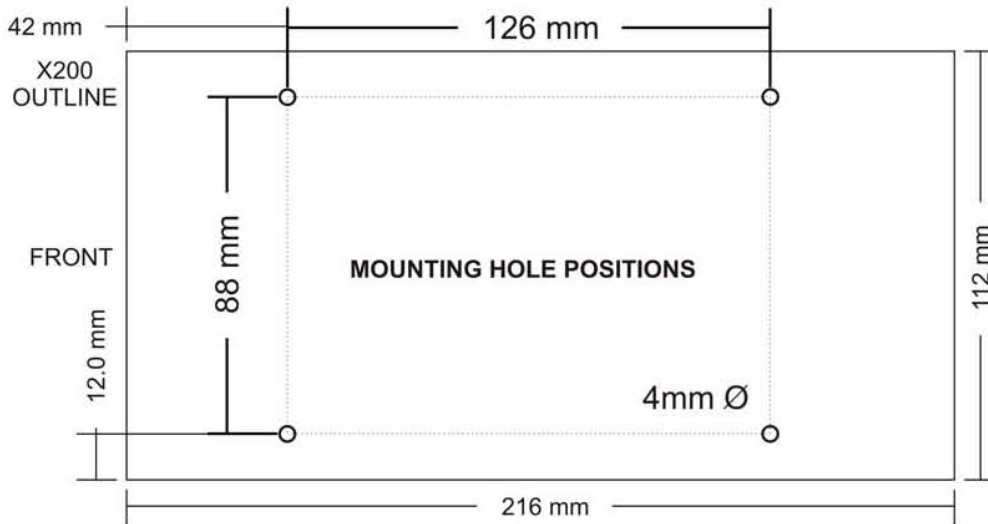


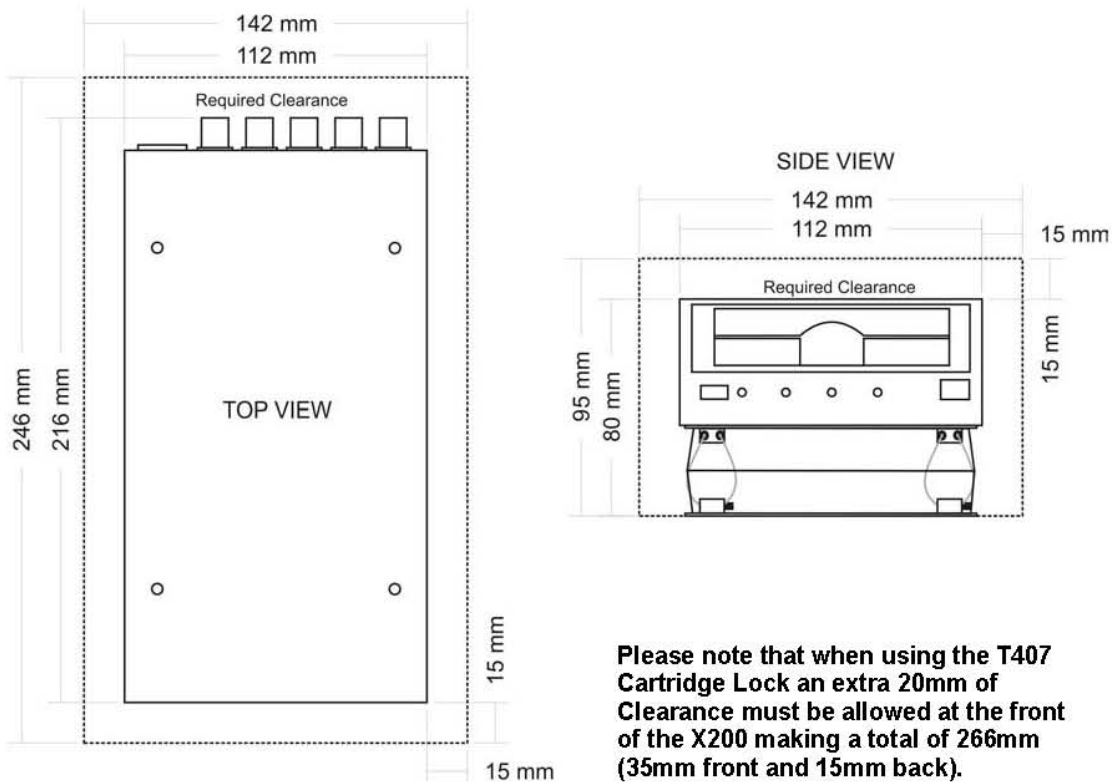
### Mounting Hole Location

The mounting holes must be drilled on 126mm and 88mm centres.



### Total Mounting Volume Required

It is necessary to allow a minimum clearance of at least 15mm around the body of the X200 when mounted on the T408 Vehicle Kit. This is to allow free movement of the X200 on the anti vibration mounts and to prevent collision with either the enclosure or peripheral systems due to vertical and lateral movement under extreme shock and vibration conditions.



Please note that when using the T407 Cartridge Lock an extra 20mm of Clearance must be allowed at the front of the X200 making a total of 266mm (35mm front and 15mm back).